



Panamatic Optima 3 Bedpan Washer Disinfector

Redefining Infection Control

Certified to
ISO 15883 &
AS 4187
2019





Redefining Infection Control

Our range of washer disinfectors have been developed over decades to provide you with a fast and safe human waste disposal system with passive safety measures to minimise the risk of infection. Designed to empty, wash and disinfect human waste containers such as bedpans, commode pots and urine bottles, our bedpan washer disinfectors incorporate the latest technological advances.

The Optima 3 provides massive capacity within a surprisingly compact frame. Its large internal chamber accommodates up to 6 items, including up to 2 large bowls.

A hot pre-wash at the beginning of each cycle ensures all equipment is thoroughly cleaned, before being thermally disinfected in a 10-minute cycle.

Benefits

1

Reduce cross contamination of infectious materials and minimise the risk of ward outbreaks, keeping staff and patients safe.

2

Incorporates the latest technological advances and able to achieve thermal disinfection levels in line with NHS periodic testing guidelines.

3

Largest capacity model to suit very high usage healthcare environments.

4

Extremely thorough wash performance , eliminating 99.99% of known bacteria.




1300 133 120





www.aidacare.com.au


Panomatic Optima 3 Features


6 **Our largest capacity machine to suit very high usage environments**
– can clean up to 3 bedpans and 3 urine bottles per cycle.

 **Rapid 10-minute washing disinfection cycle**
– eco-friendly and cost effective.

 **Hands-free open technology**
– using a foot plate to minimise cross infection and facilitate ease of use.

 **Top-loading**
– for a simple loading and emptying process.

 **High grade stainless steel casing**
– which is robust and long-lasting, not easily corroded, and easy to clean and maintain.

 **Automatic scale management system**
– suitable for soft and hard water areas, to prevent blockages.





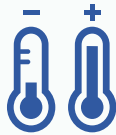
Unique multi-utensil racking design

– extremely convenient with one rack to fit all standard bedpan sizes.



Rotating wash nozzles and strategically sited spray jets

– ensure a superior wash performance.



Cold and hot wash cycles

– for an extra thorough cleaning process prior to thermal disinfection.



Optional programmable audio

– in your own language to ensure correct and proper use by staff.



Compact

– to save space, making it suitable for all room types and sizes.



Standard electrical supply –

so you can connect and go!



1300 133 120



www.aidacare.com.au

Technical Specifications

General

Stainless Steel grade:	304
Dimensions w x h x d (lid closed):	600 x 900 ±3 x 600mm
Dimensions w x h x d (lid open):	600 x 1500 ±3 x 600mm
Weight (Machine Only):	83kg
Weight (Packed):	98kg
Weight (Export):	98kg
Capacity:	3 pots + 3 urine bottles
Operation cycle time:	10 minutes
Decibel rating:	58.1dBA

Electrical

110V Voltage:	N/A
230V Voltage:	230V / 50Hz with dedicated 13A breaker (Minimum)
230 Voltage:	230V / 60Hz with dedicated 13A breaker (Minimum)
Circuit protection (230 Voltage):	30mA RCD, GFI, IEC60364 compliant
Cable connection (230 Voltage):	3 core sheathed x 1.5mm ² . 2m long
3 Phase Voltage:	N/A
Circuit protection (3 Phase Voltage):	N/A
Cable connection (3 Phase Voltage):	N/A
Rated power input:	2.55kW
Electrical consumption per cycle:	0.373kWh
Steam generator power:	2.5kW
Motor power:	N/A
Pump power:	0.75kW

Water

Water connection:	¾* BSP male fittings required (washing machine hose)
Water pressure:	Cold water 0.5-10 bar
Water flow rate (Min):	10L per minute at 1 bar
Water tank capacity:	27L
Water consumption per cycle:	57L
Waste connection:	75mm ID (3") Pushfit
Overflow connection:	22mm

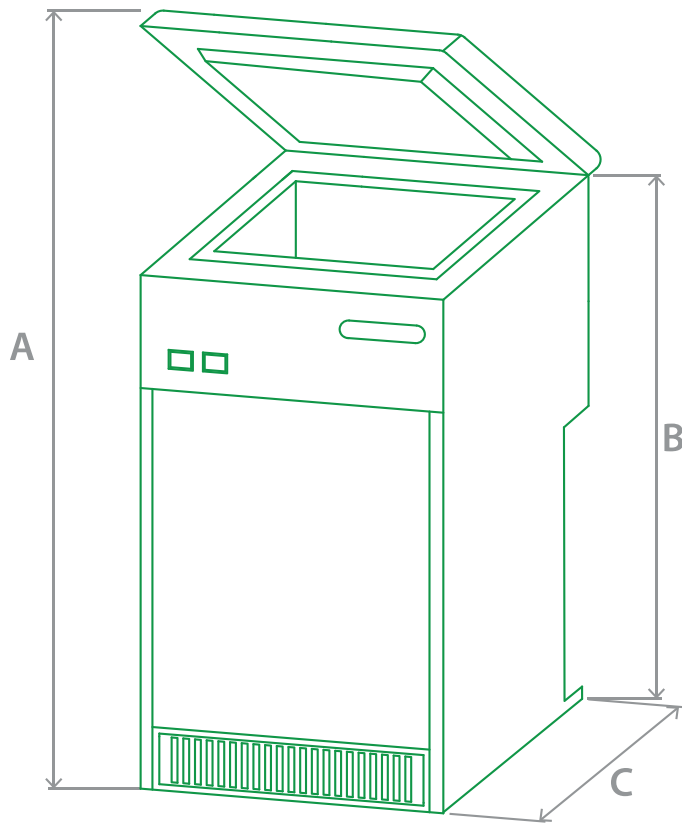
Disinfection

Recommended disinfection detergents:	EcoWash
Disinfection tank volume (external):	5L
Disinfection dosing per cycle:	30mL

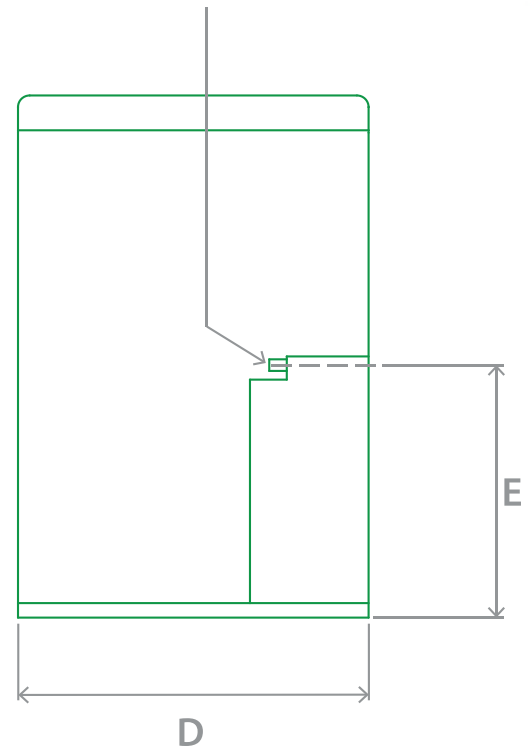
*Specifications subject to change

Dimensions

Clearance for lid



Overflow output: 20mm outer diameter



Millimetres

	Millimetres
A	1500 ±3
B	900 ±3
C	600
D	600
E	415





DDC Dolphin is committed to providing you with the sluice/dirty utility room solution which best meets your needs. Get in touch to discuss your requirements.

Accreditations



DDC Washer Sanitisers meet or exceed all the essential performance & design elements of ISO 15883 and AS 4187 (2019) as tested and certified by Australian Certification Services. Efficacy tested & certified by Eurofins AMS Laboratories.



Exclusively Distributed by:

1300 133 120
www.aidacare.com.au

