



Panamatic Maxi & Maxi+ Bedpan Washer Disinfectors

Redefining Infection Control



Redefining Infection Control

Our range of bedpan washer disinfectors have been developed over decades to provide you with a fast and safe human waste disposal system with passive safety measures to minimise the risk of infection. Designed to empty, wash and disinfect reusable human waste containers such as bedpans, commode pots and urine bottles, our bedpan washer disinfectors incorporate the latest technological advances.

The Panamatic Maxi and Maxi+ are our highest capacity bedpan washers, with an extra-large wash chamber to cope with the demands of busy wards, high dependency units or nursing level care settings.

The Maxi+ has the added advantage of a rimflush facility, allowing clinicians to safely dispose of the contents of waste containers prior to disinfection.

Able to accommodate a variety of utensils in various combinations thanks to its multipurpose loading rack, both models can disinfect up to 5 items in a 7-minute cycle.

Benefits

- 1 Reduce cross contamination of infectious materials and minimise the risk of ward outbreaks, keeping staff and patients safe.
- 2 Large wash chamber and capacity to suit high usage healthcare environments.
- 3 Incorporates the latest technological advances and able to achieve thermal disinfection levels in line with NHS periodic testing guidelines.
- 4 Extremely thorough wash performance, eliminating 99.99% of known bacteria.



Panomatic Maxi Features



Unique multi-utensil racking design

– extremely convenient with one rack to fit all standard bedpan sizes

5 Extra-large capacity wash chamber to suit high usage environments – can clean 3 pots and 2 urine bottles per cycle. Our Maxi machine has the largest capacity in the industry.



Rimflush function

– the Maxi+ comes with the rimflush facility, which is particularly useful for emptying buckets, etc. Just press the foot pedal with the lid open and the contents are flushed away.



Rapid 7-minute washing disinfection cycle

– eco-friendly and cost effective.



Rotating wash nozzles and strategically sited spray jets

– ensure a superior wash performance.



Hands-free open technology

– using a foot plate to minimise cross infection and facilitate ease of use.



Optional programmable audio

– in your own language to ensure correct and proper use by staff.



Top-loading

– for a simple loading and emptying process.



Compact – to save space, making it suitable for all room types and sizes.



High grade stainless steel casing

– which is robust and long-lasting, not easily corroded, and easy to clean and maintain.



Automatic scale management system

– suitable for soft and hard water areas, to prevent blockages.



Standard electrical supply

– so you can connect and go!

Technical Specifications

Dimensions

General

Stainless Steel grade:	304
Dimensions w x h x d (lid closed):	600 x 900 ±3 x 600mm
Dimensions w x h x d (lid open):	600 x 1500 ±3 x 600mm
Weight (Machine Only):	81kg
Weight (Packed):	96kg
Weight (Export):	96kg
Capacity:	3 pots + 2 urine bottles
Operation cycle time:	7 minutes
Decibel rating:	50.1dBA

Electrical

110V Voltage:	N/A
230V Voltage:	230V / 50Hz with dedicated 13A breaker (Minimum)
230 Voltage:	230V / 60Hz with dedicated 13A breaker (Minimum)
Circuit protection (230 Voltage):	30mA RCD, GFI, IEC60364 compliant
Cable connection (230 Voltage):	3 core sheathed x 1.5mm ² . 2m long
3 Phase Voltage:	N/A
Circuit protection (3 Phase Voltage):	N/A
Cable connection (3 Phase Voltage):	N/A
Rated power input:	2.55kW
Electrical consumption per cycle:	0.395kWh
Steam generator power:	2.5kW
Motor power:	N/A
Pump power:	0.75kW

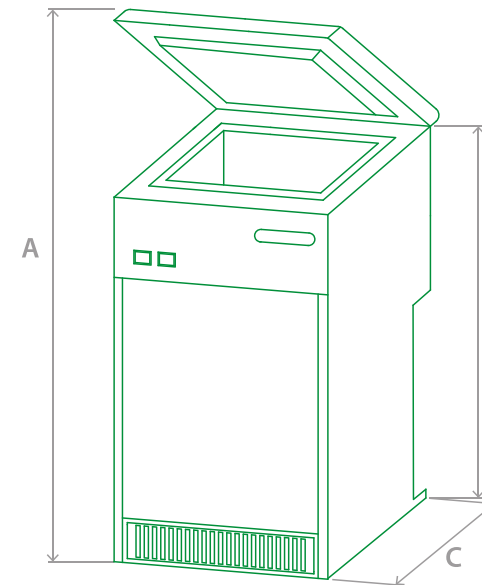
Water

Water connection:	¾" BSP male fittings required (washing machine hose)
Water pressure:	Cold water 0.5-10 bar
Water flow rate (Min):	10L per minute at 1 bar
Water tank capacity:	27L
Water consumption per cycle:	
Maxi	26.2L
Maxi+	35.5L
Waste connection:	75mm ID (3") Pushfit
Overflow connection:	22mm

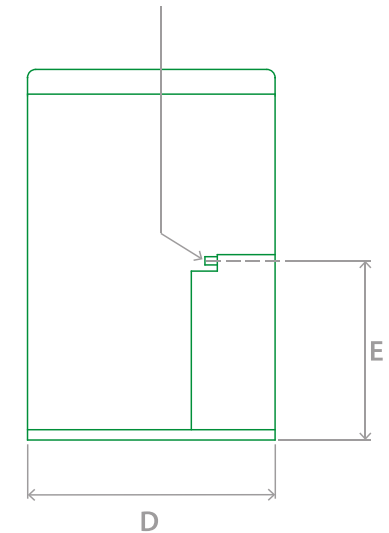
Disinfection

Recommended disinfection detergents:	EcoWash
Disinfection tank volume (external):	5L
Disinfection dosing per cycle:	30mL

Clearance for lid



Overflow output: 20mm outer diameter



Millimetres

	Millimetres
A	1500 ±3
B	900 ±3
C	600
D	600
E	415

*Specifications subject to change



DDC Dolphin is committed to providing you with the sluice/dirty utility room solution which best meets your needs. Get in touch to discuss your requirements.

Accreditations



Certificate No. 1161
ISO 1001



1300 133 120
www.aidacare.com.au

Exclusively Distributed by:

