



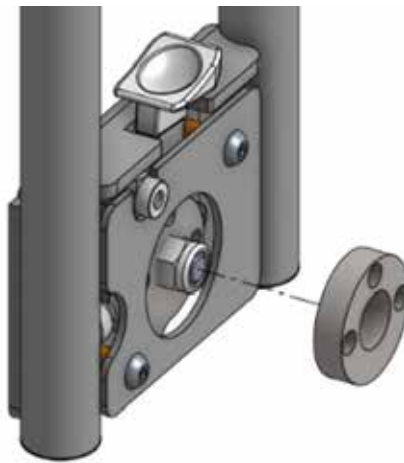
FL250/FLX GRAB/ASSIST BAR INSTALLATION INSTRUCTIONS

FOLDING SINGLE - BEB046520

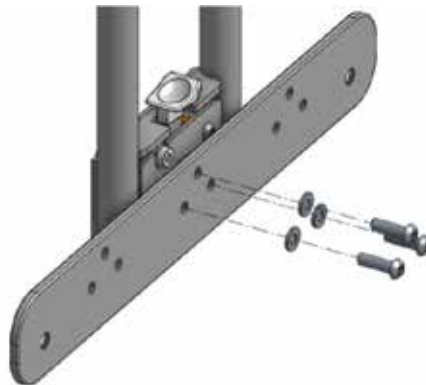


Required tools: (1) x 4 mm Allen key, (1) x small spanner

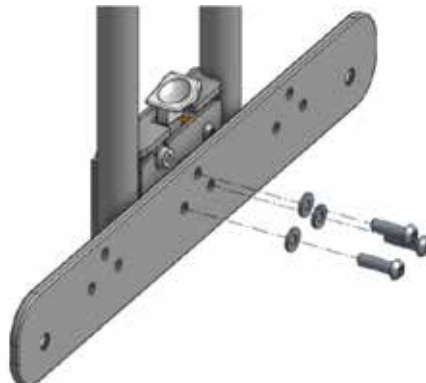
1. Position the circular spacer to align with holes on rail body. It's recommended to do this with the rail flat on the ground

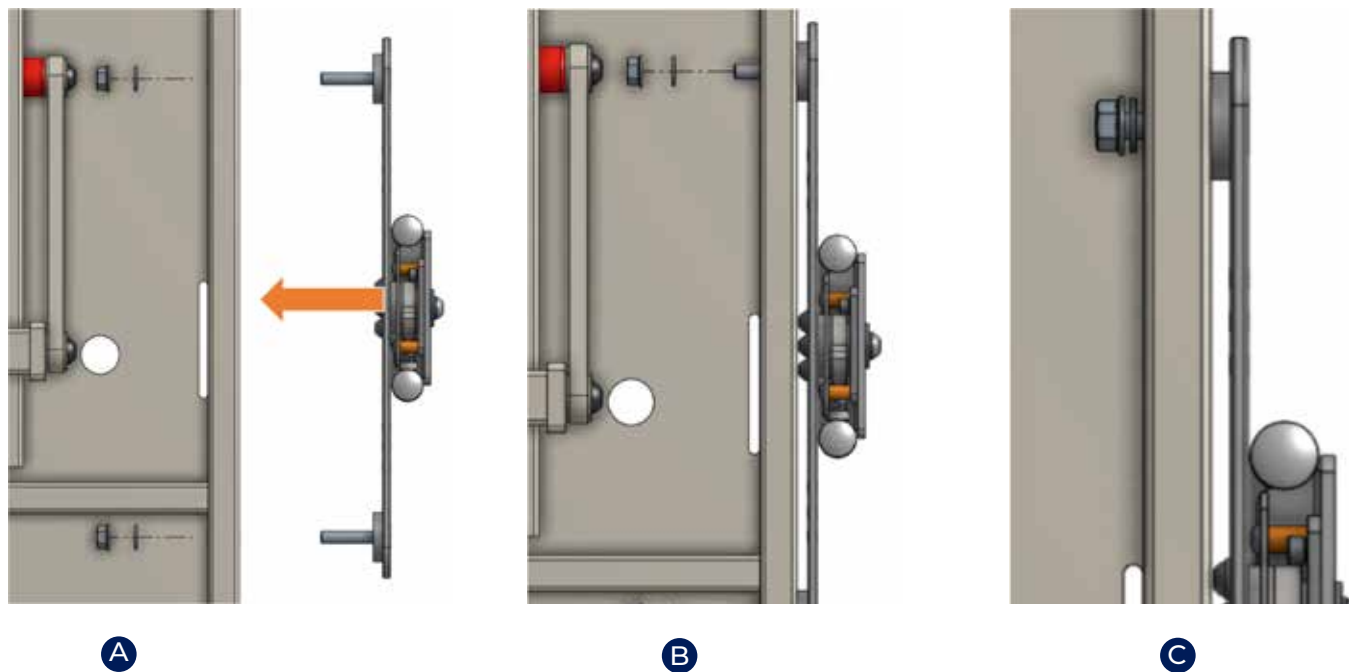


2. Use an Allen key to install the three washers and screws through the circular spacer. Do not overtighten screws



3. Now the rail is ready to be installed onto bed. Insert long countersunk screws through mounting plate and bed spacers





(Views from below)

4. **A** **B** Insert rail into bed mounting holes. Ensure that the bed spacers are present and in position as shown
5. **C** Fasten nuts over washers. The rail should be securely fixed once installed

