



HS328 MIDI PULL APART SCOOTER

USER MANUAL



Table of Contents

1.INTRODUCTION -----	1
2.IMPORTANT PRECAUTIONS -----	2
3.PRODUCT OVERVIEW -----	7
4.PRODUCT OPERATION -----	9
5.BATTERIES AND CHARGING -----	13
6.TROUBLE SHOOTING -----	16
7.MAINTENANCE AND CLEANING -----	17
8.SPECIFICATION-----	19

1. INTRODUCTION

Thank you and congratulations on purchasing your new C.T.M. Mobility Scooter. It is designed to provide you with transportation ability indoors and outdoors.

We pride ourselves on providing safe and comfortable products. Our goal is to ensure your complete satisfaction with our product. We are certain that you will enjoy your C.T.M. Mobility Scooter.

Please read and observe all warning and instruction provided in the user manual before operating this mobility scooter. Also, retain this manual for future reference.

In case of a serious incident with the product, you should inform the manufacturer and the competent authority in your country.

If you have any questions, you can contact:



Aidacare Pty Ltd ABN 40 134 398 833

Building 3A, 1 Moorebank Avenue,
Moorebank NSW 2170

Tel :1300 133 120 E-mail: product@aidacare.com.au

2.IMPORTANT PRECAUTIONS

2-1 CAUTIONS BEFORE DRIVING

※ Drive for the first time :

- 1.Before the first trip with mobility scooter, you should familiarize yourself well with the operation of mobility scooter and the operation elements. Please take your time to read this .
- 2.Before driving, please evaluate the personal condition, and fully understand the operation of mobility scooter.
- 3.Batteries should be fully charged before your journey for optimal performance and longevity (see section 5-2).
- 4.The maximum load of the mobility scooter is 136 kg. Do not exceed the maximum permissible load.Exceeding the max.weight rating may result in injury to yourself.
- 5.The mobility scooter is only designed for use by a single occupant whose maximum weight does not exceed the maximum permissible load of the device. Never use the mobility scooter to transport more than one person (including children).

※ Before each ride :

- 1.Please make sure the lever is in Drive position. Do not sit on the mobility scooter when the lever is in Neutral position. The scooter could roll away on its own, cause injury.(see section 4-6)
- 2.Make sure the tire pressure is sufficient if it is pneumatic tire. Check the worn-off level of tread depth.
- 3.Check if all devices, connectors and wiring are connected properly and all parts are tightened firmly.
- 4.Please always set the speed control to its lowest before powering on. Check the battery gauge and status indicator to ensure everything works fine before driving. (see section 4-1 / 5-3 / 6-1)



Watch out the condition of weather before every journey and prepare the necessary rain shade to avoid the danger of remote defect or system malfunction. In case of getting wet because of the unexpected bad weather, find a shelter immediately and wipe the mobility scooter with a dry cloth.



- 1.Mobility device may only be used on the traffic routes for which it is approved in accordance with the relevant national legislation as medical auxiliary device.
- 2.Do not drive the scooter over the max degrees of slope and stairs which restricted (see section 8 - Specification) and it is strictly prohibited to cross consecutive stairs or stones or similar obstacles to avoid the overturn of scooter as well as physical injury and product damage.
- 3.Do not drive your scooter if you are under the influence of alcohol or medication that may affect your ability to avoid any danger to oneself and others.
- 4.Do not wear loose clothes or long skit to avoid rolling into the tire and causing danger.
- 5.Do not assemble, maintain and operate the mobility scooter before you read this user manual.
- 6.Do not attempt to modify or disassemble the battery box or carry out any maintenance work that is not described in this .
- 7.Do not change, modify, remove any parts from the scooter especially safety protection parts such as anti-tippers, handrails, seat, shrouds to avoid any damage to the product and people.
- 8.Any unauthorized modification on the scooter is prohibited. Please do not modify the scooter.
- 9.Always be aware of pedestrians and road conditions which might require extra attention when driving your mobility scooter.
- 10.When the scooter is being transported, do not sit or stay on scooter to avoid danger.
- 11.Scooter may not operate well in high humidity.

2-2 CAUTIONS WHEN DRIVING

- 1.Do not drive the scooter under hazardous road conditions below. If necessary, please drive it in the presence of an attendant :
 - Dark, bad weather such as in rain, snow, mist, storm, and poor visibility.
 - Narrow paths, traffic overload roads, railways and uneven terrain.
 - Grass, muddy roads, gravel roads, potholes, snowy and icy roads, road with high gradient, side ditches without fences, ponds, road shoulders and other potentially dangerous environments.
- 2.Do not store the mobility scooter in a humid condition such as rain or show or high-heat place as this may cause damage to electronics or corrosion to frame.

3. In case of getting wet due to the unexpected bad weather (rain, fog, snow), find a shelter immediately and wipe the scooter with a dry cloth.
4. Do not place the scooter on a slope to avoid roll-away and danger.
5. Do not turn the power on before you sit securely on the seat. Be certain that the power is turned off after the ride or when leaving your seat. This will eliminate the possibility of accidentally activating the remote module and injury.
6. When turning, reduce your speed and maintain a stable center of gravity. This greatly reduces the possibility of a tip or fall.
7. Drive backwards at a low speed.
8. Do not stretch your body out while driving the scooter.
9. Do not operate on staircases or escalators.
10. Please always set the speed control to its lowest before driving to avoid sudden acceleration, and observe all relevant rules and regulations pertaining to pedestrians and road users at all times.
11. Driving the scooter with a stable center of gravity in a straight line, do not make S turns or turn sharply, when turning, slow down to reduce the risk of overturning and accident.
12. Do not turn off the power during the ride to avoid danger.
13. It is strictly forbidden to use parts, accessories or chargers that do not meet the manufacturer's specifications or those from other manufacturers.
14. When the power is on and the lever in N position (neutral gear), you will feel a considerable resistance when pushing the scooter by hand. The purpose is to avoid the sudden movement and danger when changing to N position (neutral gear) during the ride.

2-3 CAUTIONS WHEN DRIVING ON INCLINE (SEE SECTION 8.)

- For maximum stability, lean your upper body forward while climbing up ramps in straight line to avoid the overturn of the scooter. When climbing down ramps and uneven terrain, keep low speed. If the speed is too fast, release the throttle to let the scooter stop, then re-start your scooter slowly to ensure the safety (please refer to the pictures below).



On flat road



On slope



Max. slope degrees / load

- Max. slope degrees is 8° / Max. slope load is 136 kg (please refer to the pictures above).
- The climbing ability of the scooter is subject to the user's weight, slope angle, speed and parameter settings.
- Do not drive on the slopes that exceed the gradient limit.
- Adjust the body center of gravity when on a slope to ensure the stability of the scooter.
- Do not go up/downhill on wet or slippery surfaces that could bring possible danger.
- Do not make high-speed turns on up/downhill ramps.
- Do not attempt to cross obstacles on an up/downhill ramps.
- When driving downhill, it is normal for the battery voltage to rise. When the voltage reaches its limit, the scooter will activate [High Voltage Overload Protection] mechanism with the warning light indicator flashing for three seconds, the scooter will decelerate to a full stop. Please release the throttle and re-start the main power to revoke [High Voltage Overload Protection] status and drive slowly to a flat road or safe area.



- When on a ramp and uneven terrain, keep the lowest speed to ensure the safety.
- If the speed is too fast, release the throttle to let the scooter stop (see section 4-2), when you re-gain the control of your scooter, pull the throttle and continue driving safely.
- To avoid any danger, do not make turns or move backwards on ascending and descending ramp.
- To avoid any danger or motor defect, do not drive on a long ramp or any uneven terrain.
- Never place the mobility scooter in freewheel mode (Neutral) on any sort of an incline or decline to avoid roll-away.

2-4 CAUTIONS WHEN CLIMBING

- The maximum step height is 50 mm.
- When driving over an obstacle is necessary, please do not stop with both front and rear wheels moving straight.
- When driving through the stairs, stop the scooter and keep it vertical to the step and drive in a straight line.
- To avoid any danger, do not drive on the stairs or ditches which exceed the restricted height and width by the specification.
- On road with high gradient or the gutter without the fence, do not pass directly, please bypass them.



- Be mindful of road conditions and pass through obstacles slowly.
- Even though the scooter rated with maximum climbable degrees, we suggest not drive through the road with the obstacle mentioned above.

2-5 ELECTROMAGNETIC INTERFERENCE AND WARNINGS

CAUTION: It is very important that you read this information regarding the possible effects of Electromagnetic Interference on your mobility scooter.

Powered wheelchairs and motorized scooters may be susceptible to electromagnetic interference (EMI), which is interfering electromagnetic energy (EM) emitted from sources such as radio stations, TV stations, amateur radio (HAM) transmitters, two-way radios, and cellular phones. The interference (from radio wave sources) can cause the power chair to release its brakes, move by itself, or move in unintended directions. It can also permanently damage the mobility scooter control system. The intensity of the interfering EM energy can be measured in volts per meter (V/m). Each mobility scooter can resist EMI up to a certain intensity. This is called its "immunity level." The higher the immunity level, the greater the protection will be. At this time, current technology is capable of achieving at least a 20 V/m immunity level, which would provide useful protection from the more common sources of radiated EMI. The immunity level of this product is 20 V/m.

There are a number of sources of relatively intense electromagnetic fields in the everyday environment. Some of these sources are obvious and easy to avoid. Others are not apparent and exposure is unavoidable. However, we believe that by following the warnings listed below, your risk to EMI will be minimized.

Electromagnetic Interference and Warnings :

The sources of radiated EMI can be broadly classified into three types:

1. Hand-held portable transceivers (transmitters-receivers) with the antenna mounted directly on the transmitting unit. Examples include: citizens band (CB) radios, "walkie talkie," security, fire, and police transceivers, cellular telephones, and other personal communication devices.



Some cellular telephones and similar devices transmit signals while they are ON, even when not being used.

2. Medium-range mobile transceivers, such as those used in police cars, fire trucks, ambulances, and taxis. These usually have the antenna mounted on the outside of the vehicle.
3. Long-range transmitters and transceivers such as commercial broadcast transmitters (radio and TV broadcast antenna towers) and amateur (HAM) radios.



Other types of hand-held devices, such as cordless phones, laptop computers, AM/FM radios, TV sets, CD players, and cassette players, and small appliances, such as electric shavers and hair dryers, so far as we know, are not likely to cause EMI problems to your mobility scooter.

Mobility scooter Electromagnetic Interference :

Because EM energy rapidly becomes more intense as one moves closer to the transmitting antenna (source), the EM fields from hand-held radio wave sources (transceivers) are of special concern. It is possible to unintentionally bring high levels of EM energy very close to the mobility scooter control system while using these devices. This can affect mobility scooter movement and braking. Therefore, the warnings listed below are recommended to prevent possible interference with the control system of the mobility scooter.

Warnings :

Electromagnetic interference (EMI) from sources such as radio and TV stations, amateur radio (HAM) transmitters, two-way radios, and cellular phones can affect the mobility scooter. Following the warnings listed below should reduce the chance of unintended brake release or mobility scooter movement, which could result in serious injury.

1. Do not operate hand-held transceivers (transmitters-receivers), such as citizens band (CB) radios, or turn ON personal communication devices, such as cellular phones, while the mobility scooter is turned ON.
2. Be aware of nearby transmitters, such as radio or TV stations, and try to avoid coming close to them.
3. If unintended movement or brake release occurs, turn the mobility scooter OFF as soon as it is safe.
4. Be aware that adding accessories or components, or modifying the mobility scooter, may make it more susceptible to EMI.
5. Report incidents of driving or brake malfunctions to the distributor listed on the first page of this manual and take note of any source of EMI.

3.PRODUCT OVERVIEW

3-1 LABELS INFORMATION



<p>1</p>	<p>Warning Sticker</p> <ol style="list-style-type: none"> 1.Please read the instruction Booklet carefully before using your scooter. 2.Keep the scooter properly maintained. 3.Do not drive the scooter on slippery surfaces or on slopes over 8°. 4.Do not drive on highways, crowded roads, or unfamiliar areas. 5.Do not turn at high speed in either forward or reverse. 6.Do not wash with water or leave scooter in a humid environment since water can damage the electronic parts. 7.Always re-engage the emergency freewheel device after use. 												
<p>2</p>	<table border="1"> <tr> <td data-bbox="863 1290 1110 1375"> <p>4</p> </td> <td data-bbox="1110 1290 1439 1375"> <p>Armrest adjustment restriction label</p> </td> </tr> <tr> <td data-bbox="863 1375 1110 1491"> <p>5</p> </td> <td data-bbox="1110 1375 1439 1491"> <p>Warning label Keep hands away</p> </td> </tr> <tr> <td data-bbox="863 1491 1110 1608"> <p>6</p> </td> <td data-bbox="1110 1491 1439 1608"> <p>Warning label Keep hands away</p> </td> </tr> <tr> <td data-bbox="863 1608 1110 1711"> <p>7</p> </td> <td data-bbox="1110 1608 1439 1711"> <p>Battery capacity label (30.15Ah)</p> </td> </tr> <tr> <td data-bbox="863 1711 1110 1827"> <p>8</p> </td> <td data-bbox="1110 1711 1439 1827"> <p>Instruction of battery lock nut label</p> </td> </tr> <tr> <td data-bbox="863 1827 1110 1928"> <p>9</p> </td> <td data-bbox="1110 1827 1439 1928"> <p>Wiring diagram Label</p> </td> </tr> </table>	<p>4</p>	<p>Armrest adjustment restriction label</p>	<p>5</p>	<p>Warning label Keep hands away</p>	<p>6</p>	<p>Warning label Keep hands away</p>	<p>7</p>	<p>Battery capacity label (30.15Ah)</p>	<p>8</p>	<p>Instruction of battery lock nut label</p>	<p>9</p>	<p>Wiring diagram Label</p>
<p>4</p>	<p>Armrest adjustment restriction label</p>												
<p>5</p>	<p>Warning label Keep hands away</p>												
<p>6</p>	<p>Warning label Keep hands away</p>												
<p>7</p>	<p>Battery capacity label (30.15Ah)</p>												
<p>8</p>	<p>Instruction of battery lock nut label</p>												
<p>9</p>	<p>Wiring diagram Label</p>												
<p>3</p>	<p>N-D Lever Adjustment label</p>												
<p>10</p>	<p>Instruction label Dismantling the front and rear frame of scooter</p>												

3.PRODUCT OVERVIEW

3-2 IDENTIFICATION OF PARTS

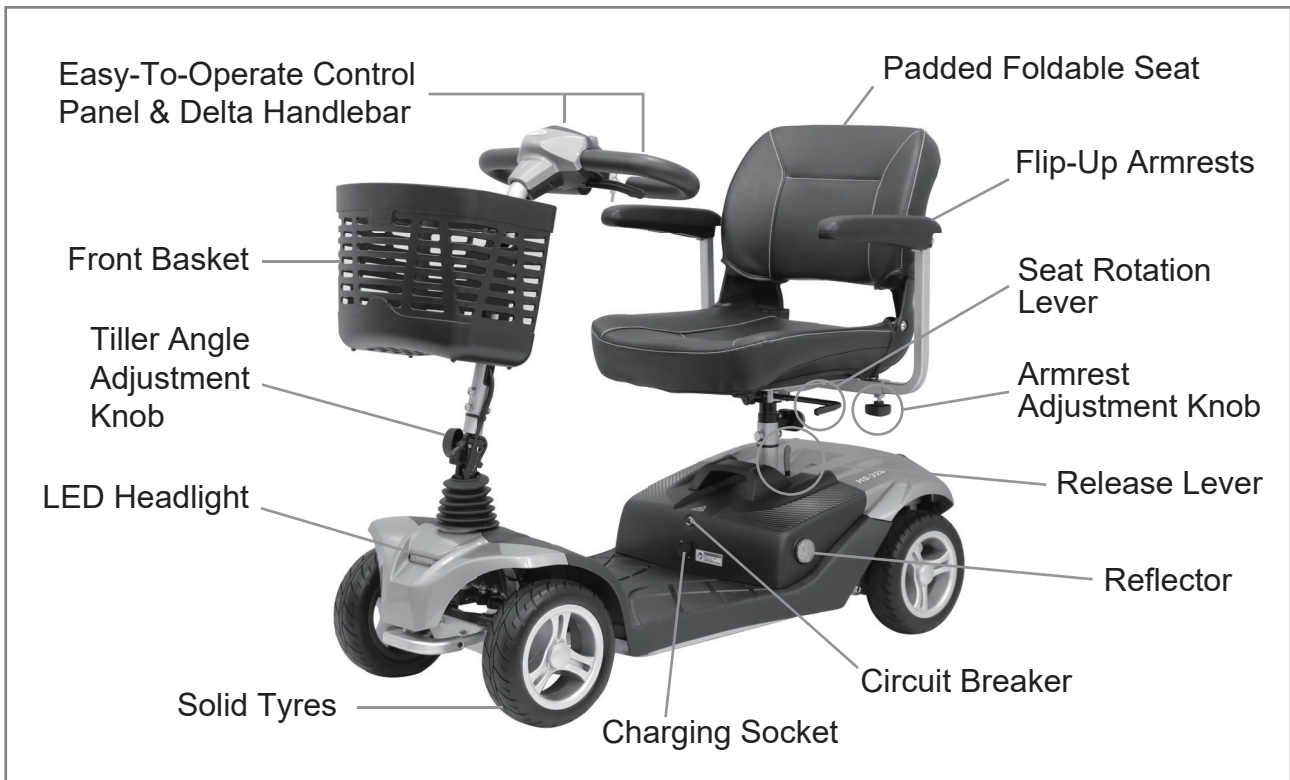


Figure A - HS-328 Front View

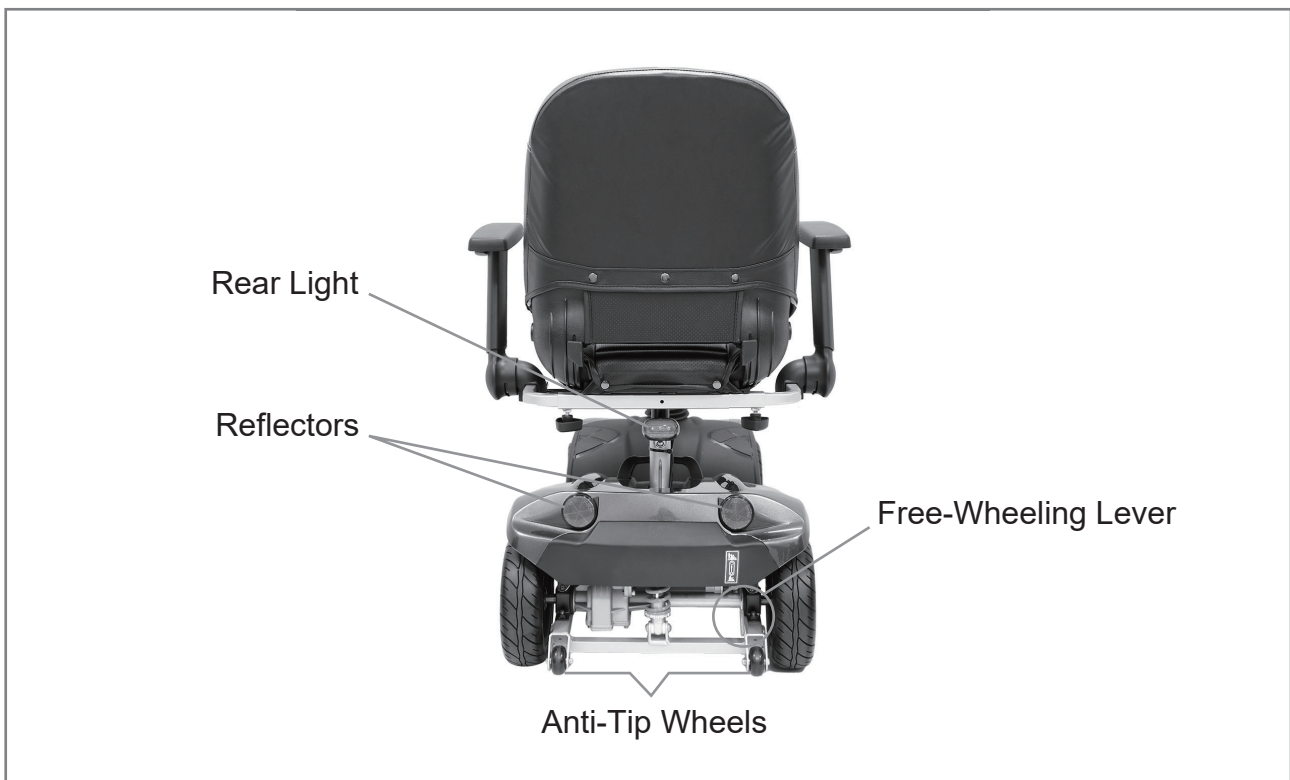


Figure B - HS-328 Rear View

4.PRODUCT OPERATION

Before attempting to drive this mobility scooter on your own, it is important that you familiarize yourself with the controls, and how to operate them.

Intended use : The C.T.M. Mobility Scooter provide a means by which a disabled occupant i.e.a disabled person or a person not having the full capacity to walk unaided to have mobility and the freedom to travel.

Indication : The occupant is a person who requires a mobility scooter due to current or anticipated mobility limitations. The C.T.M. Mobility Scooter are intended to be applicable to at least 50% of adult users, based upon the body size of adult users within the range 50th percentile adult female to 50th percentile adult male the abilities and with vary in weight.

Contra-indications : None known.

Before operation, please remove the Lock Nut (A) and press the button of Circriut Breaker (B) to active the system.

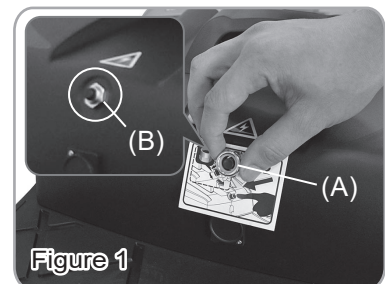


Figure 1

4-1 CONTROL PANEL OPERATION

Main Key Switch (C)

- Turn the key to the right to turn the power on.
- Turn the key to the left to turn the power LED head/tail light on.
- Turn the key to the centre position to turn the power off.



- **Always turn the power off before getting on or off the scooter.**
- **Turn the power off during driving will bring the scooter to an abrupt stop and danger.**

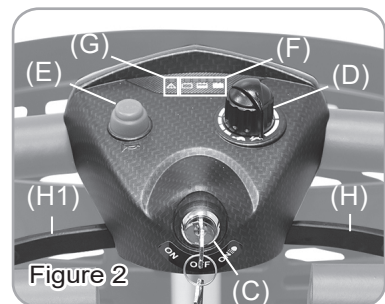


Figure 2

Sleep Mode

- Scooter will go into sleep mode with one long beep warning sound if no throttle lever activity is detected for programmable time period. (Default programmable time is 10 mins.)
- When scooter is in sleep mode, all lights on the control panel will be off, and the scooter will not respond to commands.
- To wake up the scooter, turn the power off and then on again.

Speed Dial Knob (D)

- 1.Turn the knob to the left to decelerate the speed.
- 2.Turn the knob to the right to accelerate the speed.



- **Before driving the scooter, set the speed to low by turning the knob to the left.**
- **Drive at low speed on downhill slope.**

Horn Button (E)

Press Horn Button (E) once to sound warning tone when necessary.

Battery Gauge (F)

The LED represents an approximation of battery power. All LEDs are on when the batteries are fully charged. When only red and orange are on, the batteries are almost consumed and should be charged soon. When only red are on, charge the batteries immediately. (see section 5-3)



Please check the battery power before the ride. If the power is low, charge the battery first. Please charge the battery after each use.

4.PRODUCT OPERATION

Self-Diagnostic Warning Light (G)

Flashing light indicates there is a problem within scooter. (See section 6 for trouble shooting)

4-2 Throttle (H) (H1)

- 1.Pull the Throttle (H) to move forward.
- 2.Pull the Throttle (H1) to move backward.
- 3.Release the throttle to engage automatic brake to decelerate to a full stop.



Figure 3



Releasing the throttle engages the automatic brake, the scooter will taxi for a short buffering distance, please keep safe distance to prevent any collisions.

4-3 TILLER ANGLE ADJUSTMENT

- 1.Turn the knob (I) to disengage the pin.
- 2.Adjust the tiller to the most comfortable angle. Release the knob (I) and ensure the pin is fully engaged to lock the tiller in position.



Figure 4

4-4 SEAT ROTATION ADJUSTMENT

- 1.Lift the lever (J) upward to disengage the pin.
- 2.Simultaneously, rotate the seat (K) to the most comfortable angle. To lock the seat in position, release the lever (J) and ensure the pin is fully engaged.



Figure 5

4-5 CIRCUIT BREAKER

If scooter's circuit system malfunctions or is overloaded, the circuit breaker will trip and automatically shut down the power to ensure the safety. Move the scooter to a flat road, press circuit breaker (B) and you can turn on the power.

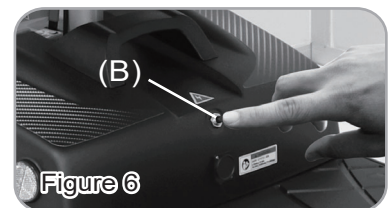


Figure 6

4-6 Free-Wheeling Lever

- 1.Pull the lever (L) in Drive position before the ride.
- 2.When the scooter can't operate, pull the lever (L) in Neutral position to push the scooter by hand.

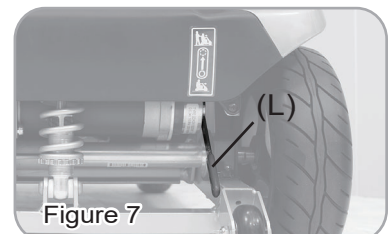


Figure 7



- Do not switch to Neutral position unless you are in the presence of an attendant.
- Do not switch to Neutral position on slope to avoid roll-away and serious danger.
- When adjusting the Free-Wheeling lever, do not sit on the scooter and the power needs to be off and operate on a flat road.

4.PRODUCT OPERATION

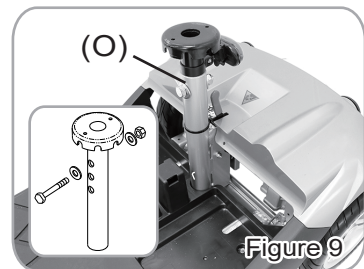
4-7 ARMREST ASSEMBLING & ANGLE ADJUSTMENT

- 1.Release the knob (M) to adjust to the most comfortable width, then tighten the knob (M).Release the knob (M) to disassemble the armrest.
- 2.Lift the armrest, release the nut (N1) to adjust the screw (N2) to a comfortable angle, then tighten the nut (N1).



4-8 SEAT HEIGHT ADJUSTMENT

- 1.Remove the seat (K). (see section 4-10)
- 2.Remove the screws, nuts and washers from seat post (O).
- 3.Adjust seat post (O) to desired height, then tighten the screws, nuts and washers in order.
- 4.Assemble the seat post back to its original position.



4-9 BASKET ASSEMBLY AND DISASSEMBLY

Lift the basket it.

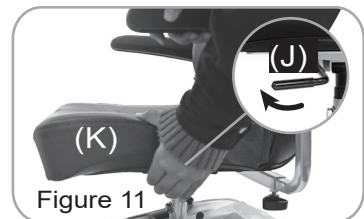


Max. weight limit of the basket: 3 kg



4-10 SEAT ASSEMBLY AND DISASSEMBLY

Pull the lever (J) upward and rotate the seat (K) to lift up the seat (K)

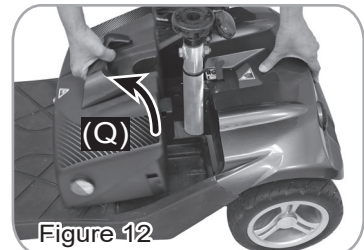


4-11 BATTERY BOX ASSEMBLY AND DISASSEMBLY

Pull out the battery box (Q) by the arrow direction.



- When transporting the scooter, make sure the scooter stands up vertically to avoid the battery box falling out.
- Charge the battery fully before long storage time (over a week).



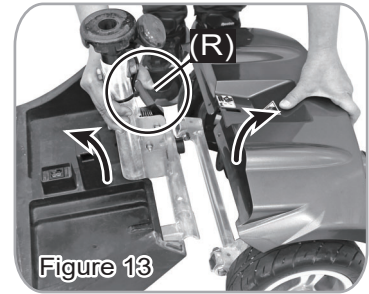
Please turn off the power under the following conditions:

- 1.Sea freight and other forms of transportation.
- 2.Maintenance service.
- 3.Functional failure.
- 4.Fire or other emergency.

4.PRODUCT OPERATION

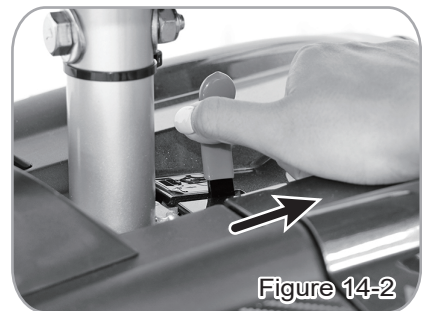
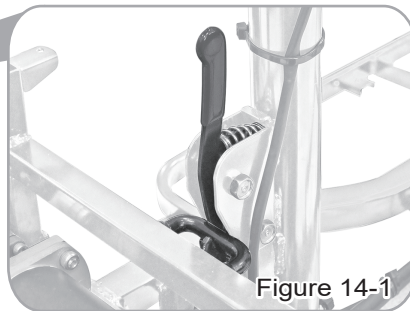
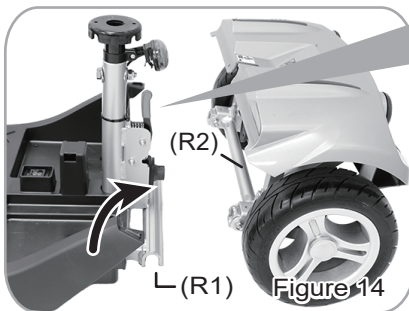
4-12 FRONT & REAR FRAME DISASSEMBLING

Hold the seat post and press the frame release lever (R) to separate the front/rear frames by the arrow directions.



Frame assembly:

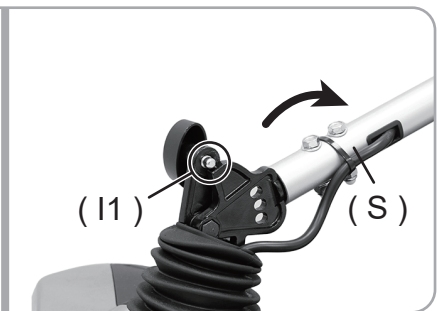
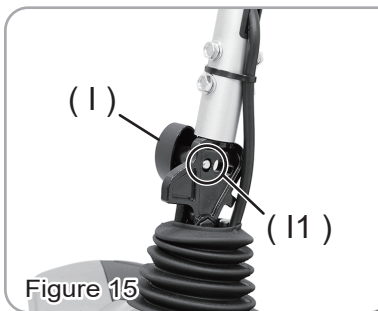
Lift the front frame groove (R1) and align with rear rod (R2) to assemble them (Fig.14), lightly press to combine the frame release lever and hook (Fig.14-1), make sure you hear a “click” sound when lock-in.



After assembling, push the frame release lever and hook to make sure they are firm and secure. (Fig.14-2)

4-13 TILLER FOLD METHOD

Turn the knob (I) to release the pin (I1) to fold down the tiller (S) to the lowest position.



4-14 COMPLETION OF DISASSEMBLY

The Scooter can be disassembled as shown in Figure 16.



5. BATTERIES AND CHARGING

5-1 CAUTIONS FOR CHARGING

- Please read this section thoroughly before charging.
- Please turn the power off before charging and make sure to set the N-D lever to Drive position. (see section 4-1 / 4-6)
- Please see section < 8. Specification > for the specification of lithium battery.
- Suggest not unplug the charger unless the charging has completed (charger indicator turns green). (see section 5-2)
- The battery must be fully charged before the first ride. (see section 5-2)
- Charge the battery after each use. (see section 5-2)
- The Scooter uses lithium battery. Recommended range of storage temperature: 1 year: -20~25°C, 3 months: -20~45°C, 1 month: -20~60°C. Cell operating conditions : Charge temperature: 0~45°C, Discharge temperature: -20~60°C. Humidity range: 0~60% RH (non-condensing)
- Fully charge the battery before prolonged storage (3 months or above). Store the battery in a dry and well-ventilated environment. Battery must be recharged every 3 months during the storage.
- The efficiency and lifetime of battery vary depending on the charging of the battery. The improper charging way or insufficient charger equipment may affect battery lifetime and performance.
- Battery is subject to the disposal and recycling regulations by your local country and region. Always check and follow your applicable regulations before disposal.
- It's highly recommended to have your scooter inspected for the battery by your dealer every six months despite the frequency of use.

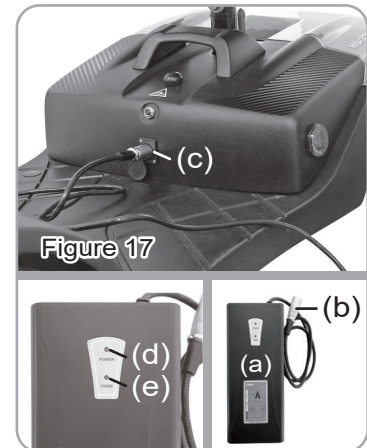


- **Do not sit or operate the mobility scooter when charging.**
- **Store the lithium battery and charger in a dry and well-ventilated environment, away from any source of direct heat, humidity, oil, acid, alkaline, and ozone to prevent overheating, malfunction, shorter lifespan or the cause of fire.**
- **Do not cover charger by any objects. Use the charger in a well-ventilated area.**
- **Only use the original battery and charger, well control the charging time to prevent damage to battery and equipment. Do not use chargers from other brands or connect the charger with an extension cord.**
- **Do not disassemble charger and battery box by yourself to prevent the danger.**
- **Do not damage or disassemble battery box to avoid damage to internal battery.**
- **Always avoid battery short-circuit, try to avoid possible short-circuits caused by internal interaction or conductive materials.**
- **In case of any malfunction, strange smell, heat, discoloration or deformation on lithium battery or unusual condition during the charging, remove the battery immediately and stop using it.**
- **Always avoid strong impact and extrusion to battery to prevent the damage to the battery case and internal structure.**
- **Maintenance and repairs should only be performed by a qualified engineer or authorized dealer. To replace the built-in battery, please contact your dealer.**
- **It is forbidden to connect any electrical or medical device to the battery of the scooter, it may cause the scooter malfunction.**

5. BATTERIES AND CHARGING

5-2 CHARGING OPERATION

- You can directly charge on the scooter or take out the battery box to charge. (see section 4-11)
- 1. Open the charging socket cover and insert the output connector (b) of the charger (a) into the socket (c), then plug the AC end of charger into a 100-240V electrical outlet.
- 2. Please check if the power light (d) turns red and the charger indicator (e) turns on.
- 3. To be safe, please follow the instructions above. Unplug the AC end of the charge first after charging, then unplug the output connector (b).



- Charger Indicator (e)
 - Red = standby
 - Orange = charging
 - Green = fully charged



Unplug the AC end of the charger first after charging. When charging continuously for a certain period of time (over 8 hours), the battery power is still not full and the charger indicator does not turn on green, indicating that the charger or battery is abnormally aging or other problems. Do not solve this problem by yourself, please contact the dealer for repair service.

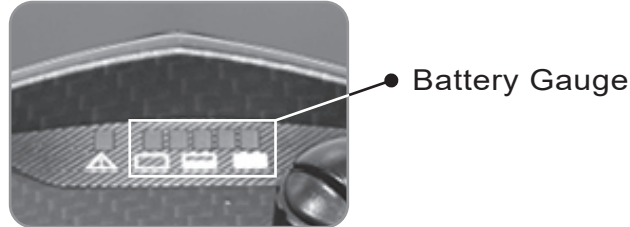


- **If left unused more than a week, please fully charge the battery then disconnect, making sure the connector (b) is placed properly to prevent short circuit. Charge the battery once a month and store in a dry environment.**
- **Please be aware that the travelling range of your mobility scooter is impacted by how fast the battery discharged. This will depend on many circumstances, such as ambient temperature, condition of the road, tyre pressure, weight of the driver, driving environment (inclines etc.) and utilisation of your lighting system if fitted. We recommend that you test your local ride with a family member to ensure a safe journey.**

5.BATTERIES AND CHARGING

5-3 BATTER GAUGE OPERATION

- The battery gauge comprises five different LEDs (1 x red, 2 x orange, 2 x green).



- The number of LEDs lit depends on the status of the battery as shown below.

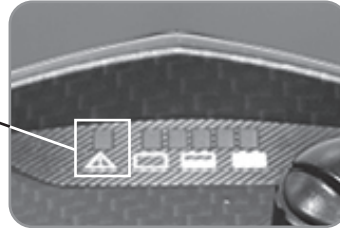
Battery Gauge	Status
	Fully charged. This level is set by the Battery Gauge Maximum parameter.
	Operate normally. Pay attention to the battery battery voltage.
	Operate normally. Pay attention to the battery battery voltage.
	Consider Charging battery
	Battery needs charging. This level is set by the Battery Gauge Minimum parameter.
	Flashing red: power exhausted, please park on a safe place immediately.

6.TROUBLE SHOOTING

6-1 SELF-DIAGNOSTIC WARNING LIGHT / ERROR DESCRIPTION

When powered up, if there is an error with the system, the self-diagnostic warning light will flash red. The number of flashes indicates different types of errors. These are described in the table below.

Self-Diagnostic Warning Light



Flash Times	Error Description	Initial Check Points
1	Low battery	<ul style="list-style-type: none"> • Charge the battery immediately.
2	Low Battery Fault	<ul style="list-style-type: none"> • Battery is exhausted, please park at a safe place.
3	High Battery Fault	<p>Battery voltage is too high. This may occur if overcharged or traveling on a long slope.</p> <ul style="list-style-type: none"> • If traveling on a slope, reduce your speed to minimize the amount of regenerative charging. • Check the battery and associated connections and wiring.
4	Current Limit Time-Out	<p>The motor has been exceeding its maximum current rating for too long.</p> <ul style="list-style-type: none"> • Check the motor and associated connections and wiring. • Turn the power off, leave for a few minutes and turn back on again.
5	Park Brake Fault	<p>Either the Free-Wheeling Lever is in Neutral position or it is faulty.</p> <ul style="list-style-type: none"> • Check the Free-Wheeling Lever and associated connections and wiring. • Ensure any associated switches are in their correct positions.
6	Throttle OONAPU	<p>Turn on the power but the throttle is not in central position.</p> <ul style="list-style-type: none"> • Ensure the throttle is in central position. • The Throttle may require re-calibration.
7	Speed Pot Fault	<ul style="list-style-type: none"> • The throttle or other associated wiring may be faulty. • Check the throttle and associated connections and wiring.
8	Motor Voltage Fault	<ul style="list-style-type: none"> • The motor or its associated wiring is faulty. • Check the motor and associated connections and wiring.
9	Other error	<ul style="list-style-type: none"> • The controller may have an internal fault. • Check all connections and wiring.

7.MAINTENANCE AND CLEANING

7-1 REGULAR MAINTENANCE AND CLEANING

To keep the mobility scooter in good condition, please conduct maintenance and clean work regularly.

- Annual Maintenance

The mobility scooter should be sent to the CTM authorized dealer for full maintenance inspection per year to ensure that your mobility scooter is functioning properly.

- Recommended maintenance

- Only use soft and damp cloth with gentle detergent.
- Do not use any corrosive or acidic substances to clean the scooter to avoid damage.
- Do not use high-pressure hose to clean your scooter.
- Armrest / handle bar: Only use damp cloth with gentle detergent or 75% alcohol to wipe the surface.
- Seat upholstery / backrest: Use vacuum cleaner or damp cloth with gentle detergent to wipe the seat.
- Metal parts: Keep dry. Only use damp cloth to wipe and dry cloth to dry out immediately.
- Joint parts: depending on the situation (whether there is abnormal noise or increased friction), use lubricating oil.

- Regular Maintenance and Care

- 1.Please turn off the power and make sure the lever is in Drive position before inspection or maintenance to avoid roll-away.
- 2.User should inspect the mobility scooter more often especially when it has been riding on the bad road condition.
- 3.Clean the dusts by brush such as old toothbrush before applying grease.
- 4.Avoid prolonged exposure of your mobility scooter to extreme conditions, such as heat, cold, or moisture.
- 5.Check if all controller connectors are tight and secured properly.
- 6.Never hose off your mobility scooter or place it in direct contact with water.
- 7.Keep the mobility scooter clean by wiping with a soft cloth after the ride. Do not use harsh abrasive materials when cleaning. Do not apply liquid cleaners or solvents directly to the control box, battery charger or any electrical connections.
- 8.Keep wheels free from lint, hair, sand and carpet fibres.
- 9.Inspect the tires regularly. Tread depth should not be allowed to below standard. Let qualified technician or dealer replace the tire for you.
- 10.Use only the battery and charger from the original manufacturer and have them replaced by authorized dealer.
- 11.Charge battery regularly. Make sure the charger, cord, socket and plug are engaged properly. Do not disconnect by pulling the cord.
- 12.Inspect the controller harnesses. Make sure that they are not frayed, cut or have any wires exposed. Consult with your authorized dealer if there is a problem with any of these harnesses.
- 13.Make sure all components of the control system are securely fastened to your mobility scooter and don't over-lock any connector screws to prevent them from loosening.

7.MAINTENANCE AND CLEANING

7-2 Daily Check

Please always check your mobility scooter before every journey. If you find the sign of malfunction, which cannot be solved by yourself, please contact your authorized dealer.

Check Point	Inspection	Solution
Free-Wheeling Lever	Check if N-D lever functions well.	Contact your dealer.
Horn	Check if the horn functions well.	Contact your dealer.
Throttles	Check the forward/backward function.	Contact your dealer.
	Check the magnetic brake function.	Contact your dealer.
Battery Gauge	Check if the battery gauge light is on.	Contact your dealer.
	Check if the battery power is low.	Charge the battery immediately if the power is low.
Lighting	Check the turn signal function.	Contact your dealer.
	Check the LED head lights, rear lightsfunction.	Contact your dealer.
Speed Dial Knob	Check the Speed Dial Knob function.	Contact your dealer.
Armrests	Check if the parts are firmly tightened to the scooter. Tighten the screw knob that holds the armrest.	Contact your dealer.
Wheels/Tires	Tire tread depth is not less than 1.0 mm.	Contact your dealer.
	Check if the tire is oxidized and cracked. No foreign objects in tires.	Contact your dealer.
	Check if wheels rotate without wobbling.	Contact your dealer.
Motor	Check if any noise when operating.	Contact your dealer.
Battery Charger	Check the voltage.	Contact your dealer.
	The charger indicator is not on after connecting the charger.	Please check the connection.
	No green light after charging enough time for full power.	Contact your dealer.
	Check the charger function.	Contact your dealer.
Seat / Upholstery	Check for movement and if it's worn out.	Contact your dealer.
Electronics	Check if all the cables and connectors are firmly tightened to the scooter	Contact your dealer.

8.SPECIFICATION

Overall Length	1120 mm / 44"
Overall Width	620 mm / 24.4"
Overall Height	935 mm / 36.8"
Front Wheels	225 mm / 8.85"
Rear Wheels	225 mm / 8.85"
Weight W/ Batteries	42.6 kg / 93.9 lbs
Max. Speed	8 kmph / 5 mph
Weight Capacity	136 kg / 300 lbs
Ground Clearance	120 mm / 4.7"
Grade Climbable	8 degree
Curb Climbable	50 mm / 2.0"
Turning Radius	1450 mm / 57.1"
Brake	Electro-Mechanical
Seat Type	Rotatable and Foldable
Seat Width	460 mm / 18"
Drive Train	2 Motor, Rear-Wheel Drive
Motor Size	24V / 250W / 4000 r.p.m.
Battery Size	(1) 25.2V / 30.15Ah
Weight of Battery	7 kg / 15.4 lbs
Travel Range	39 km / 24.2 Miles
Battery Charger	4A Off Board
Electronics	ON / OFF key Switch, display, Speed Control Knob

*Subject to change without notice. (Rev. 0, 2023/05/05)

AIDACARE PTY LTD

Building 3A, 1 Moorebank Avenue,
Moorebank NSW 2170 Australia

1300 133 120 | aidacare.com.au

MADE IN TAIWAN

ASUM118.1150724

